

HPT-WH-25ES

SCALE PALLET TRUCK

- ◆ Heavy duty pallet truck with built-in scale 2500kg capacity; 500g accuracy.
- ◆ Electronic indicator with 32mm high red LED display
Four load cells ensure accurate readings in kg or lb.
- ◆ Well designed structure
Standard 540mm fork width (rather than 570mm)
Low profile 78mm min. fork height
- ◆ Long life internal battery
Rechargeable 6V/4Ah battery, 40 hours operation.



◆ 4 load cells inner weighing structure

Up to 2500kg, readings in kg or lb. 4 built-in load cells ensured accuracy. Accuracy $\pm 0.5\%$



◆ Casted galvanized pump

Durable forks made from 4mm thickness steel

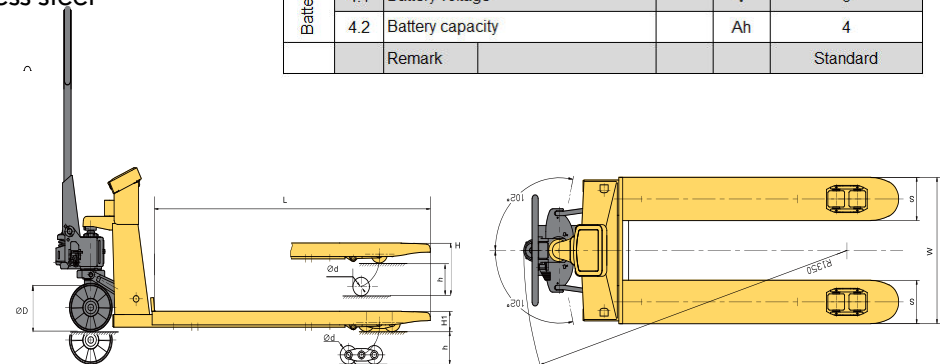


◆ High Precision multi-function LED screen

7 function keys, simple and convenient operation. 6-digit 32mm LED display, 7 state indicator lamps. Long service life and shock resistance.

Automatic screen protection and automatic shutdown energy-saving function. Tare / Hold / Accumulation (of pallet weight) / Counting mode / Unit switchable

Feature	Model			WH-25ES
1.1	Capacity		kg	2500
1.2	Pump type			Integrated
1.3	Accuracy		%	± 0.5
Wheel	2.1	Wheel(drive/load) Type		PU
	2.2	Size of steering wheel	ΦD mm	180*50
	2.4	Size of Loading wheel(double wheel)	Φd mm	70*70
Dimensions	3.1	Lifting height	H mm	120
	3.2	Max. fork lifting height	h mm	198
	3.3	Lowered height of fork	H1 mm	78
	3.4	Fork outside distance	W mm	540
	3.5	Fork length	L mm	1150
	3.6	Fork width	S mm	160
	3.7	Weight	kg	96
Battery	4.1	Battery voltage	V	6
	4.2	Battery capacity	Ah	4
		Remark		Standard



We provide a nationwide 2-3 day delivery service with next day delivery available on request.
All of our products come with a twelve month warranty

pallettruckshop.co.uk is a trading name of Midland Bearings Ltd
 Registered in England and Wales
 Company Number 02839330 - VAT Registration Number GB 753996769