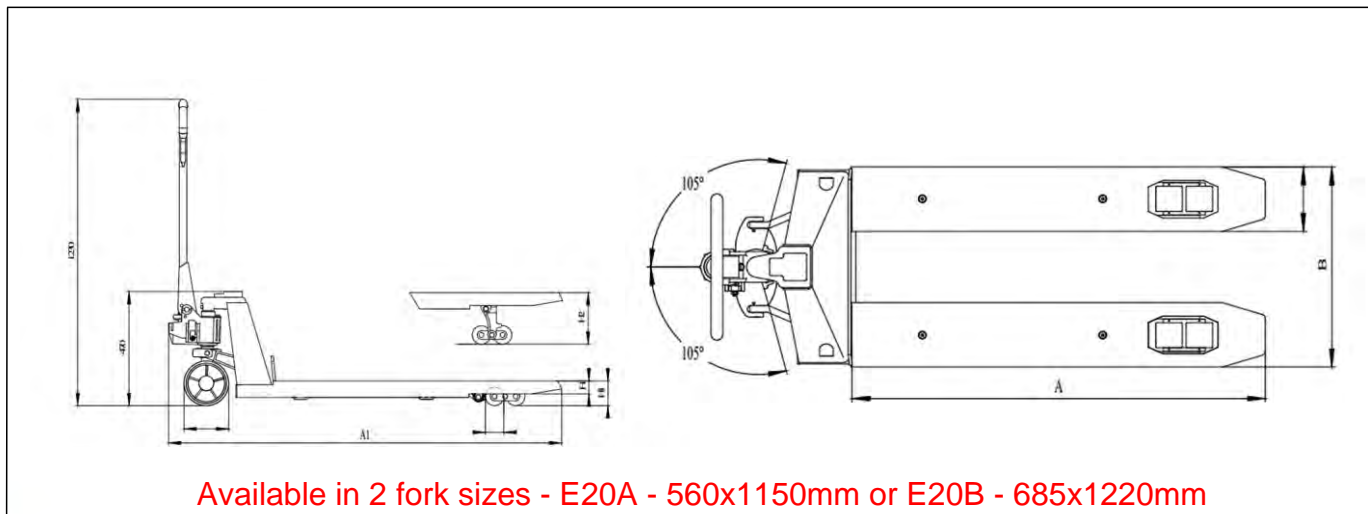
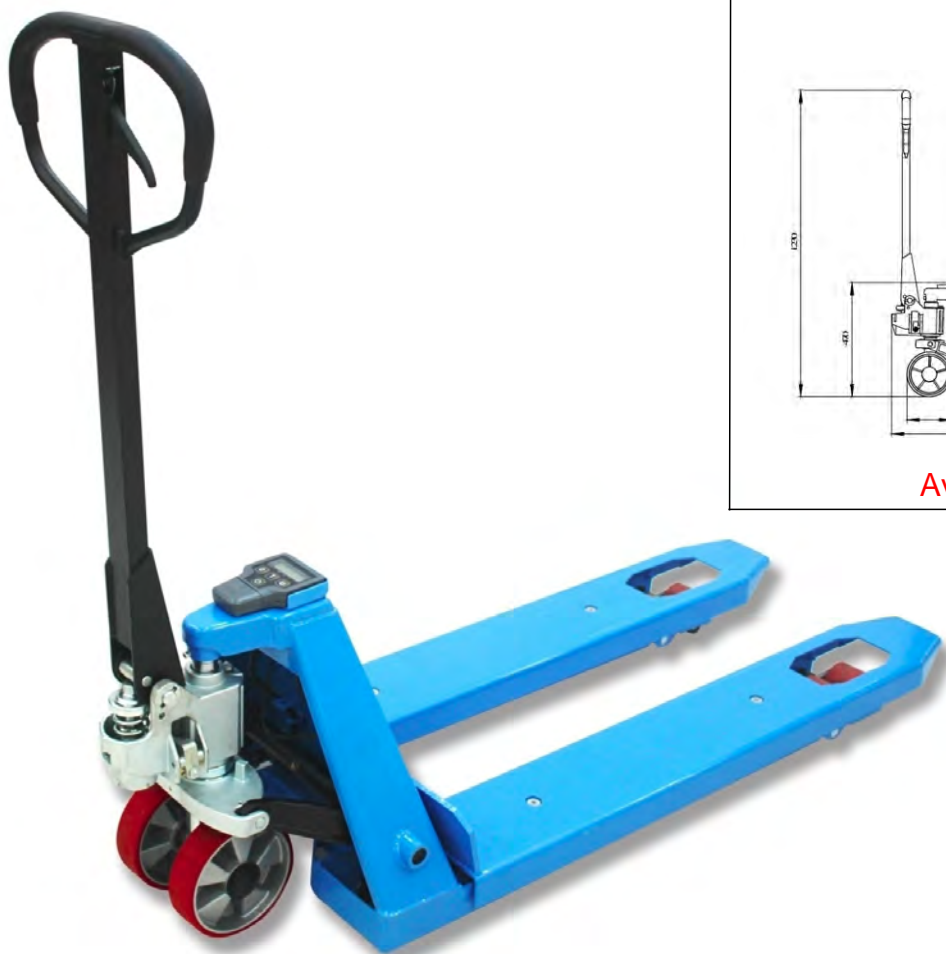


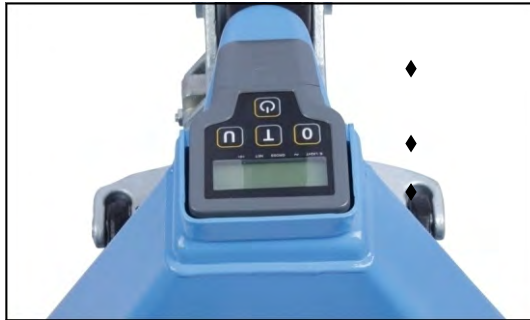
E20 Weighing Scale Pallet Truck



Dimensions

Model		E20B	E20A
Min.Fork Height H1	mm	85	85
Max.Fork Height H2	mm	200	200
Fork Length A	mm	1220	1150
Fork Width B	mm	685	560

E20 Weighing Scale Pallet Truck



Cost-effective & High Efficiency

- ◆ Industrial standard with entry-level cost
- ◆ Enhances productivity and simplifies logistic processes
- ◆ Saves time and space

Durability

- ◆ Shock and vibration resistant
- ◆ Water tight for outdoor use
- ◆ A metal cover behind the indicator to protect it from shocks
- ◆ Compact ,dedicated indicator saves space ,economic for transportation

Low Power Consumption

- ◆ Powered by 2*900mAh button cell
- ◆ Battery life 300 operation hours

Specifications

- ◆ Capacity 2000kg
- Graduation 1kg
- ◆ Display LCD ,digital height 15mm
- ◆ Keypad 3 function keys , on/off key
- ◆ Protection class load cells IP67,indicator IP54
- ◆ Manual zero correction
- Gross /net weighing
- Manual tare
- Error message in display
- Automatic shut off after 5 minutes of non-use or manual adjust
- Lbs/kg toggle function
- Factory calibration and user calibration

Convenience

- ◆ Easy-to-read backlit LCD displays
- ◆ The indicator has four buttons for easy use
- ◆ Overload protection

Superb Accuracy

Digital filtering is used to compensate for vibration and improve the scale accuracy
Load cells are protected from pallets
High accuracy :maximum error 0.05%

Stable

The frame uses heavy duty steel construction for maximum strength and durability
◆ Durable powder coat finish